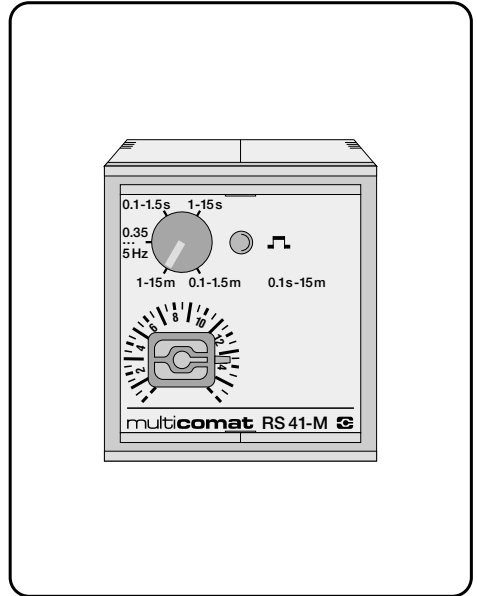


Type	Time range	Partial range	
		s	min
RS41-M	0,1 s – 15 min	0,1 – 1,5 s	0,1 – 1,5 min
		1 – 15 s	1 – 15 min
		0,35...5Hz (Flasher frequency)	

The partial ranges are programmable at the range switch



Voltages		Current consumption	
Designation		Tolerances	I max. AC I max. DC
ATX: 220–240V~	AC 50/60Hz	-15/+10%	10mA
ANP: 110–120V~	AC 50/60Hz	-15/+10%	21mA
UFK: 24–48V~	AC 50/60Hz or DC	-20/+25%	120mA 160mA

Example of order: 1 Time delay relay RS41-M/ATX

Timing modes	Code	Diagram	Description
On delay	E		S ⇒ R on with delay SOFF ⇒ R off
Off delay	A		S ⇒ R on SOFF ⇒ R off with delay
One shot leading edge (constant or mom. pulse)	K		S (pulse or continuous contact) ⇒ R on for t S -- no influence on R and t
One shot leading edge (pulse limitation)	W		S ⇒ R on for t SOFF ⇒ R off (pulse clipping)
Blinker (0,35...5Hz)	B		S ⇒ R on/off periodically according to t SOFF ⇒ R off

ON OFF S = triggering ⇒ = switches... R = output circuit

Connection scheme	

Technical data	General
Repeat accuracy ¹⁾	+0,5% or 10ms
Voltage stability	+1% ²⁾
Temperature stability	+0,1%/°C
Time range tolerance (t max.)	-0 +2%
Duty cycle	ED = 100%
Reset time during t	70ms
Reset time after time expiry	20ms
Triggering time	> 15ms
Triggering delay time	15...25ms
Load of control contact S	8V/2mA
Ambient temperature range	-25...+60°C
Storage temperature range	-25...+80°C
Transient voltage protection	CE; IEC 255.4. annex E, class III
Specifications	VDE 0435/0110 Gr C, CF
Protection/Case material	IP 40/Noryl SE 1 corresp. UL 94V-1
Weight incl. packing	approx. 160g

¹⁾ referred to the set time
²⁾ max. tolerance total

Technical data	Output circuit
Switching current max.	6A
Switching voltage max.	250V
Breaking capacity	AC: 1200VA; DC: ...250W
Mechanical life	2x10 ⁷ operations
Contact material	Ag Ni

These values are valid for ohmic load or for inductive loading with spark arrest.

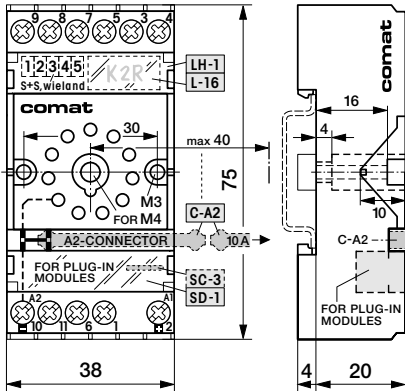
Dimensions	Enclosure S4

Front mounting accessory FZ-40 (front panel aperture: 36,5x40,5^{+0,5}mm, front panel thickness max. 4mm). Transparent front cover FS-40 (part of the scope of delivery.)

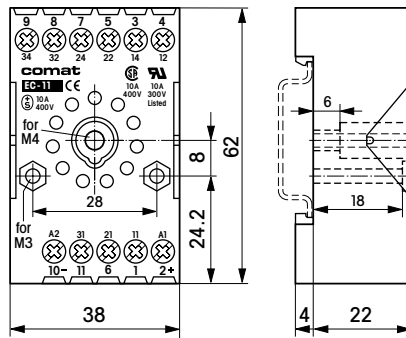
Case S4

This issue replaces all previous issues.
Availability, errors and specifications subject to change without notice.

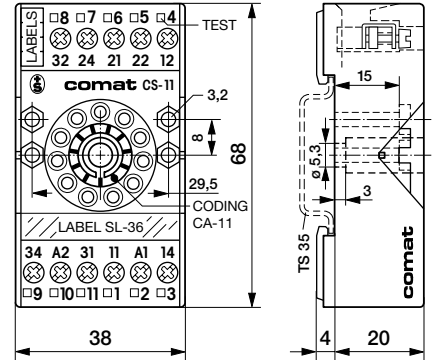
C11A Relay socket with screw, connections for panel or DIN mounting-snap fit



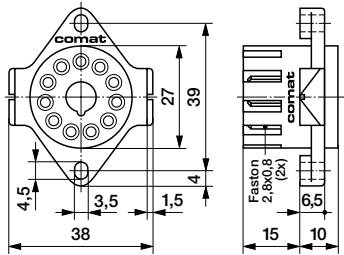
EC-11 Relay socket with screw, connections for panel or DIN mounting-snap fit



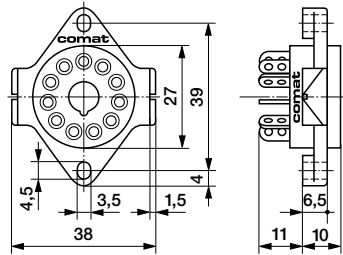
CS-11 Relay socket with screw, connections for panel or DIN mounting-snap fit



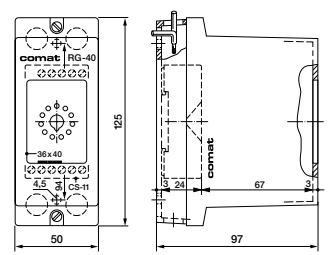
11 PGF Relay socket for fasten connectors (2xAMP 2,8x0,8 DIN 46247)



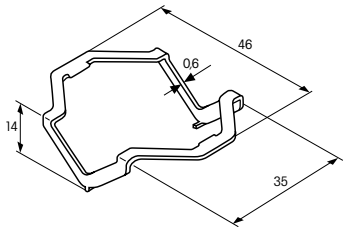
11 PGL Relay socket for chassis mounting (solder tags: 3,8x0,8 mm)



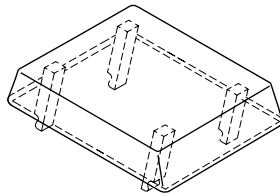
RG-40 Surface mounting case with built-in relay socket (protected connection terminals)



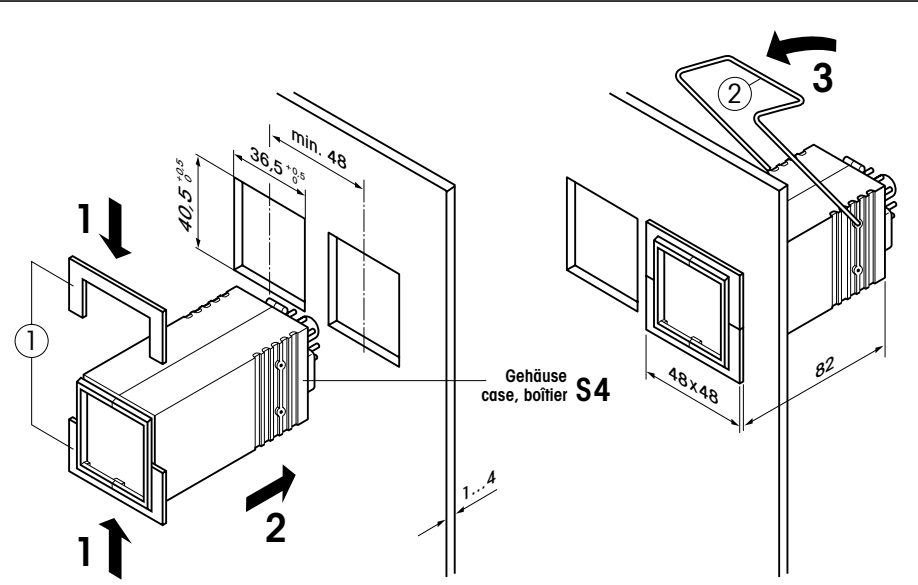
HF-24 Retaining clip made of special spring steel suitable for all relay sockets



FS-40 Transparent cover (always included with the relay)



FZ-40 Front of panel mounting accessory comprising 2 front frame parts ① and 1 retaining clip ②



Kühn Controls S.L.
Vertriebsbüro Deutschland
Gräfenhäuser Str. 14
D-75305 Neuenbürg
Tel.: +49- (0)7082-940000
Fax: +49- (0)7082-940001
eMail: sales@kuehn-controls.de
www.multicomat.net